

SOL ARMCHAIR OUTDOOR COLLECTION



The original Sol Chair is the epitome of a design classic. The Chair was originally designed as a modern interpretation of the traditional club chair. With a formed bronze or aluminium, the strong geometric lines and main upholstered body has been made to maximise the comfort.



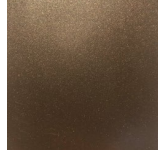
SOL ARMCHAIR OUTDOOR VARIATIONS



BRUSHED ALUMINIUM



COM 1



BRONZE FINISH



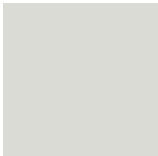
COM 1



PLANISHED ALUMINIUM



COM 1



WHITE GREY RAL 9002



COM 1



SIGNAL WHITE RAL 9001



COM 1

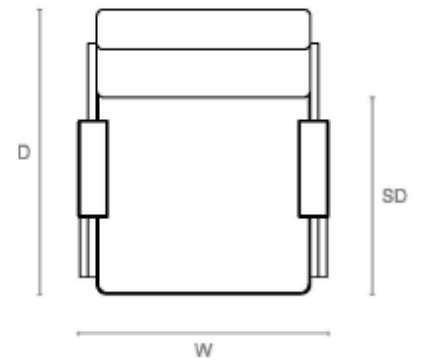
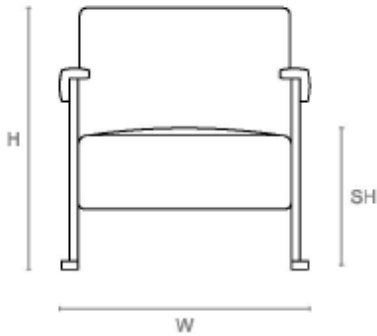
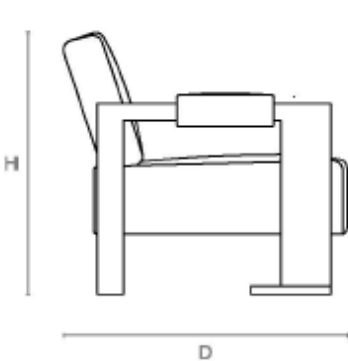


CUSTOM RAL or PANTONE COLOUR



COM 1

Creating a natural flow between interior and exterior living the OUTDOOR COLLECTION provides our clients the same statement appeal of our trademark designs, known for texture and materiality, now in alternative construction, alfresco ready.



780mm H x 750mm W x 850mm D x 420mm SH x 612mm SD
 30.71in H x 29.53in W x 33.46in D | 16.54in SH x 24.09in SD

UPHOLSTERY SPECIFICATIONS

Plain fabric 54" wide: 5 metres | 5.5 yards
 COL: 65 sq. ft of usable leather
 Speciality COM, patterns, velvet or other: Please enquire

ESTIMATED LEAD TIME 14 to 16 weeks plus shipping

NOTES Bespoke sizes and finishes are available. Please enquire for quote and lead time