

SOL ARMCHAIR



The original Sol Chair is the epitome of a design classic. The Chair was originally designed as a modern interpretation of the traditional club chair. With a formed bronze or aluminium, the strong geometric lines and main upholstered body has been made to maximise the comfort.



SOL ARMCHAIR



PLANISHED
BRONZE
BODY



COM 1

DIMENSIONS

780mm H x 750mm W x 850mm D 420mm SH
x 612mm SD x 600mm AH
30.7in H x 29.5in W x 33.5in D X 16.5in SH
x 24.1in SD x 23.6in AH

FABRIC SPECIFICATIONS

Upholstered items may be ordered using customer's own fabric or leather.

COM plain fabric 54": 5m | 5.5 yards

COL: 6m | 6.6 yards

Specialty COM, Patterns, velvet or other: Please inquire.

NOTES

This piece can be tailor made to bespoke sizes and finishes, please enquire for further details.

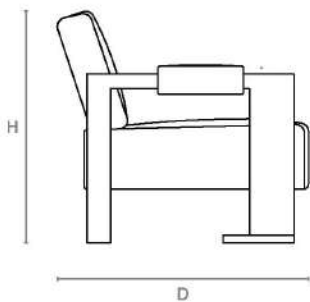
FINISHES VARIATIONS

FBC London products are fabricated to the highest quality. The majority of finishes are made and finished by hand and thus some variation is to be expected. FBC London works closely with our fabricators to assure all the finishes are to our typical high standards and closely align to FBC master references. With finishes of natural material such as wood and stone inherent disparities in colour and grain pattern because of variations caused by nature, over which FBC London has no control. FBC London cannot guarantee exact colour, grain, or texture of wood or stone but will work closely with you as our client to highlight this where necessary.

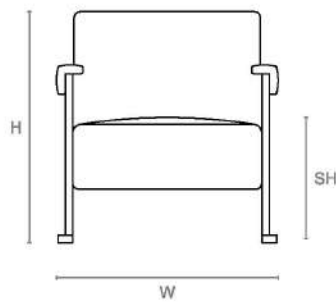
ALTERNATIVE FINISH COMBINATIONS AVAILABLE, SEE FBC LONDON FINISHES LOOKBOOK FOR REFERENCE OR CONTACT FBC LONDON TO SPECIFY BESPOKE FINISHES FOR YOUR ORDER.

(BESPOKE DESIGN FEE CHARGES MAY BE APPLICABLE)

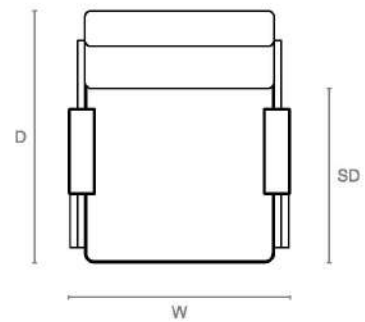
LINE DRAWINGS



Side Elevation



Front Elevation



Plan