

OUTDOOR FIONA CARVER CHAIR



The Outdoor Fiona Carver Chair is elegant and classic in its shape. The enveloping arms have been designed to encourage relaxation and comfort combined with the timber structured frame and neatly upholstered seat pad and back rest to support the body.



OUTDOOR FIONA CARVER CHAIR VARIATIONS

VARIATION I



IROKO NATURAL
OIL



COM 1

VARIATION II



IROKO DARK STAIN
OILED



COM 1

ALTERNATIVE FINISH COMBINATIONS AVAILABLE, SEE FBC LONDON FINISHES LOOKBOOK FOR REFERENCE OR CONTACT FBC LONDON TO SPECIFY BESPOKE FINISHES FOR YOUR ORDER.
(BESPOKE DESIGN FEE CHARGES MAY BE APPLICABLE)

DIMENSIONS

765mm H x 715mm W x 520mm D
485mm SH x 435mm SD
30.12in H x 28.15in W x 20.47in D
19.09in SH x 17.13in SD

FABRIC SPECIFICATIONS

PLAIN FABRIC
SEAT & BACK: 1m | 1.1 yds

PATTERN/VELVET/LEATHER
BODY: 1.5m | 1.6 yds | 16 sq ft

UPHOLSTERY

COM
Upholstered items may be ordered using customer's own fabric or leather (COM).

LEAD TIME & SHIPPING

12- 14 weeks + shipping. Shipping costs quoted upon confirmation of delivery address.

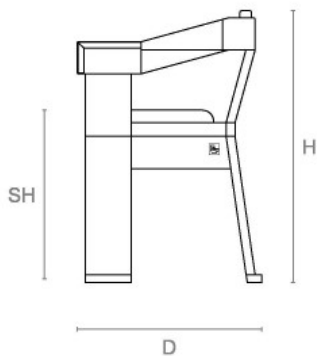
NOTES

This piece can be tailor made to bespoke sizes and finishes, please enquire for further details.

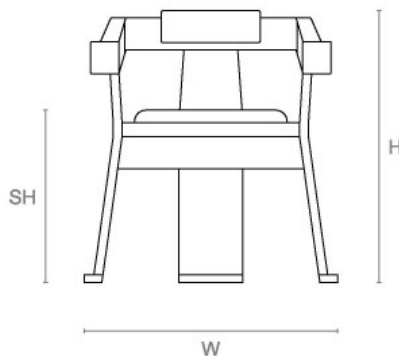
FINISHES VARIATIONS

FBC London products are fabricated to the highest quality. The majority of finishes are made and finished by hand and thus some variation is to be expected. FBC London works closely with our fabricators to assure all the finishes are to our typical high standards and closely align to FBC master references. With finishes of natural material such as wood and stone inherent disparities in colour and grain pattern because of variations caused by nature, over which FBC London has no control. FBC London cannot guarantee exact colour, grain, or texture of wood or stone but will work closely with you as our client to highlight this where necessary

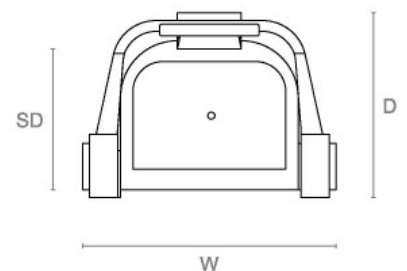
LINE DRAWINGS



Side Elevation



Front Elevation



Plan