

## OUTDOOR LAWRENCE DINING TABLE



The Outdoor Lawrence Dining Table is inspired by industrial aesthetics of the geometric laser cut steel base.



# OUTDOOR LAWRENCE DINING TABLE VARIATIONS

## VARIATION I



GOLD NERO  
PORTORO  
MARBLE TOP



BRASS FINISH  
BASE

## VARIATION II



ARABESCATO  
MARBLE TOP



BRUSHED  
ALUMINIUM BASE

ALTERNATIVE FINISH COMBINATIONS  
AVAILABLE, SEE FBC LONDON FINISHES  
LOOKBOOK FOR REFERENCE OR  
CONTACT FBC LONDON TO SPECIFY  
BESPOKE FINISHES FOR YOUR ORDER.  
(BESPOKE DESIGN FEE CHARGES MAY BE APPLICABLE)

## DIMENSIONS

### SIZE I

ROUND  
760mm H x 1500mm W x 1500mm D  
29.92in H x 59.06in W x 59.06in D

### SIZE II

OVAL  
760mm H x 2400mm W x 1400mm D  
29.92in H x 82.68in W x 55.12in D

## LEAD TIME & SHIPPING

12- 14 weeks + shipping. Shipping costs quoted upon confirmation of delivery address.

## NOTES

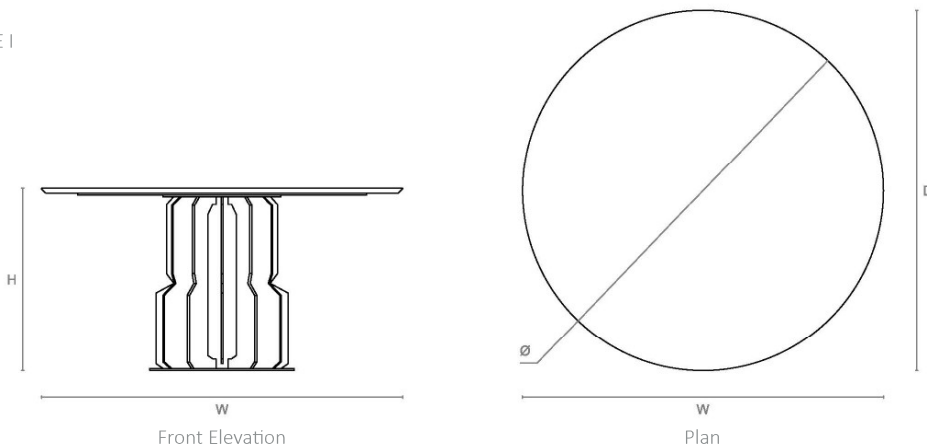
This piece can be tailor made to bespoke sizes and finishes, please enquire for further details.

## FINISHES VARIATIONS

FBC London products are fabricated to the highest quality. The majority of finishes are made and finished by hand and thus some variation is to be expected. FBC London works closely with our fabricators to assure all the finishes are to our typical high standards and closely align to FBC master references. With finishes of natural material such as wood and stone inherent disparities in colour and grain pattern because of variations caused by nature, over which FBC London has no control. FBC London cannot guarantee exact colour, grain, or texture of wood or stone but will work closely with you as our client to highlight this where necessary

## LINE DRAWINGS

### SIZE I



### SIZE II

