

## SOL ARMCHAIR



The original Sol Chair is the epitome of a design classic. The Chair was originally designed as a modern interpretation of the traditional club chair. With a formed bronze or aluminium, the strong geometric lines and main upholstered body has been made to maximise the comfort.



## SOL ARMCHAIR VARIATIONS

### VARIATION I



PLANISHED  
ALUMINIUM  
BODY



COM 1

### VARIATION II



PLANISHED  
BRONZE BODY



COM 1

ALTERNATIVE FINISH COMBINATIONS AVAILABLE, SEE FBC LONDON FINISHES LOOKBOOK FOR REFERENCE OR CONTACT FBC LONDON TO SPECIFY BESPOKE FINISHES FOR YOUR ORDER.  
(BESPOKE DESIGN FEE CHARGES MAY BE APPLICABLE)

### DIMENSIONS

#### SIZE I

780mm H x 750mm W x 850mm D  
420mm SH x 612mm SD  
30.71in H x 29.53in W x 33.46in D  
16.54in SH x 24.09in SD

### FABRIC SPECIFICATIONS

#### PLAIN FABRIC

MAIN BODY: 5m | 5.5 yds

#### PATTERN/ VELVET/ LEATHER

MAIN BODY: 6m | 6.6 yds | 16 sq ft

### UPHOLSTERY

#### COM

Upholstered items may be ordered using customer's own fabric or leather (COM).

### LEAD TIME & SHIPPING

12- 14 weeks + shipping. Shipping costs quoted upon confirmation of delivery address.

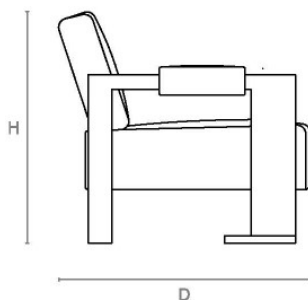
### NOTES

This piece can be tailor made to bespoke sizes and finishes, please enquire for further details.

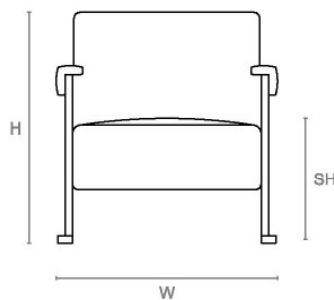
### FINISHES VARIATIONS

FBC London products are fabricated to the highest quality. The majority of finishes are made and finished by hand and thus some variation is to be expected. FBC London works closely with our fabricators to assure all the finishes are to our typical high standards and closely align to FBC master references. With finishes of natural material such as wood and stone inherent disparities in colour and grain pattern because of variations caused by nature, over which FBC London has no control. FBC London cannot guarantee exact colour, grain, or texture of wood or stone but will work closely with you as our client to highlight this where necessary

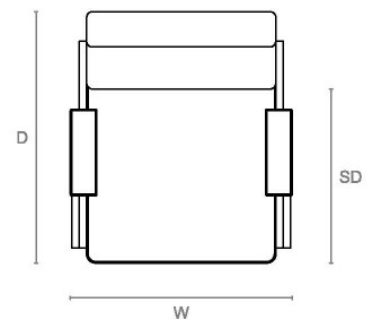
### LINE DRAWINGS



Side Elevation



Front Elevation



Plan